

KLIMAROLL – SPRING RECOIL AND ELECTRIC MOTOR DRIVEN EXHAUST HOSE REELS

Basic Klimaroll exhaust hose reels application is extraction of car fumes in garages, car repair and maintenance shops or car showrooms. Thanks to Klimaroll exhaust hose reel you will maintain order in the workplace and, with easy to operate flexible hose, you will be able to locate and exhaust air pollution at source. When the exhaust hose is not longer needed simply wind it back on the hose reel which you can mount on the wall or under the ceiling.

Spring recoil Klimaroll SP allows for automatic hose return of the hose and desired hose length can be chosen with use of built-in ratchet mechanism.

Klimaroll E models, equipped with electric motor, are easy to work with use of up/down on-wall switch (models EP) or remote controller (models ER).

Standard hose reels are equipped with 102, 127, 157 diameter and 10 m length crash-proof flexible hoses which are up to 150°C.



APPLICATION

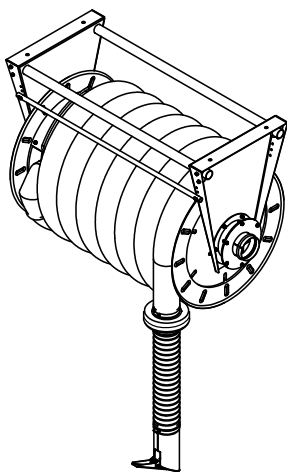
- car exhaust fumes capture and extraction
- air pollution capture and exhaust in hard to reach areas (example technological structures, tanks, containers)
- air pollution capture and exhaust in the range up to 10m
- exhaust of gas mixtures up 150°C hot (for higher temperature resistance up to 300°C contact Oskar Air Products representative)

CONSTRUCTION

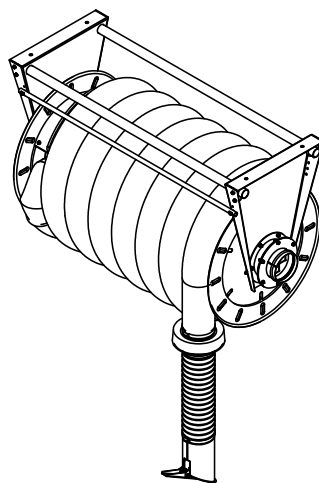
- hose reel construction - powder coated welded steel
- hose reel drum made - galvanized steel sheet
- standard crash proof and up to 150°C resistant hoses

ADDITIONAL INFORMATION

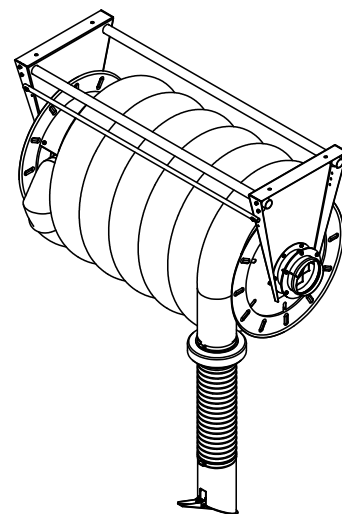
- Klimaroll hose reels are ready to work with ZWR fan units
- other hose lengths on request
- accessories and exhaust pipe nozzles (including rubber models) on request



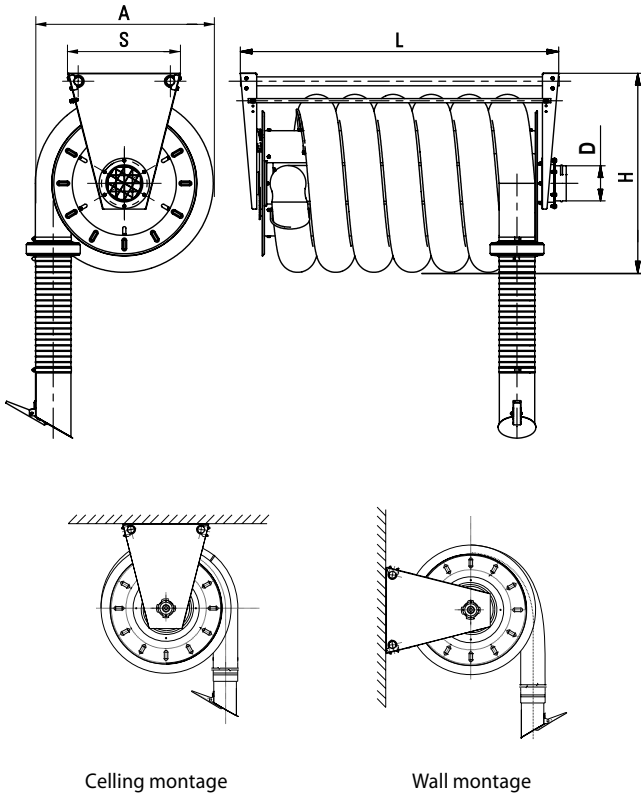
Klimaroll 10010



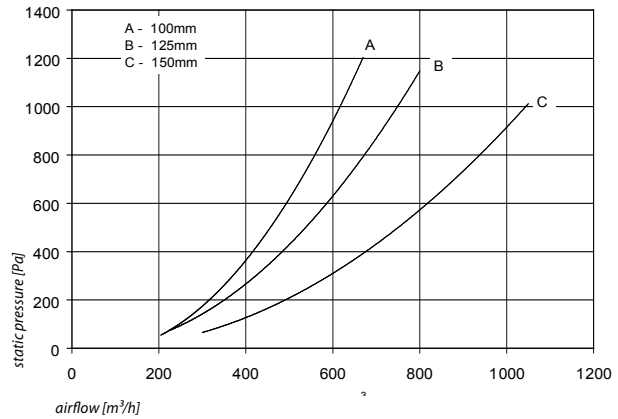
Klimaroll 12510



Klimaroll 15010



KLIMAROLL – DIAMETERS (MM)			
	W04-SP-10010	W04-SP-12510	W04-SP-15010
	W04-NP-10010	W04-NP-12510	W04-NP-15010
	W04-NR-10010	W04-NR-12510	W04-NR-15010
A	700	750	799
D	100	125	150
H	800	825	850
L	1080	1260	1360
S	479	479	479



EXHAUST HOSE REEL 100

- W04-SP-10010 Spring recoiled exhaust Exhaust hose reel type 100 for 10 m of flexible hose (without hose and nozzle)
- W04-NP-10010 Motor driven Exhaust hose reel type 100 for 10 m of flexible hose with on-wall control (without hose and nozzle)
- W04-NR-10010 Motor driven Exhaust hose reel type 100 for 10 m of flexible hose with remote control (without hose and nozzle)

EXHAUST HOSE REEL 100 – HOSE AND NOZZLE

- M03-21-4100 Flexible hose for automotive fumes diameter 102 mm , length 10 m
- P04-00-9502 Exhaust hose reel 100 stainless nozzle
- Rubber stopper 100

EXHAUST HOSE REEL 125

- W04-SP-12510 Spring recoiled exhaust Exhaust hose reel type 125 for 10 m of flexible hose (without hose and nozzle)
- W04-NP-12510 Motor driven Exhaust hose reel type 125 for 10 m of flexible hose with on-wall control (without hose and nozzle)
- W04-NR-12510 Motor driven Exhaust hose reel type 125 for 10 m of flexible hose with remote control (without hose and nozzle)

EXHAUST HOSE REEL 125 – HOSE AND NOZZLE

- M03-21-4101 Flexible hose for automotive fumes diameter 127 mm , length 10 m
- P04-00-9501 Exhaust hose reel 125 stainless nozzle
- Rubber stopper 125

EXHAUST HOSE REEL 150

- W04-SP-15010 Spring recoiled exhaust Exhaust hose reel type 150 for 10 m of flexible hose (without hose and nozzle)
- W04-NP-15010 Motor driven Exhaust hose reel type 150 for 10 m of flexible hose with on-wall control (without hose and nozzle)
- W04-NR-15010 Motor driven Exhaust hose reel type 150 for 10 m of flexible hose with remote control (without hose and nozzle)

EXHAUST HOSE REEL 150 – HOSE AND NOZZLE

- M03-21-4102 Flexible hose for automotive fumes diameter 152 mm , length 10 m
- P04-00-9503 Exhaust hose reel 150 stainless nozzle
- Rubber stopper 150