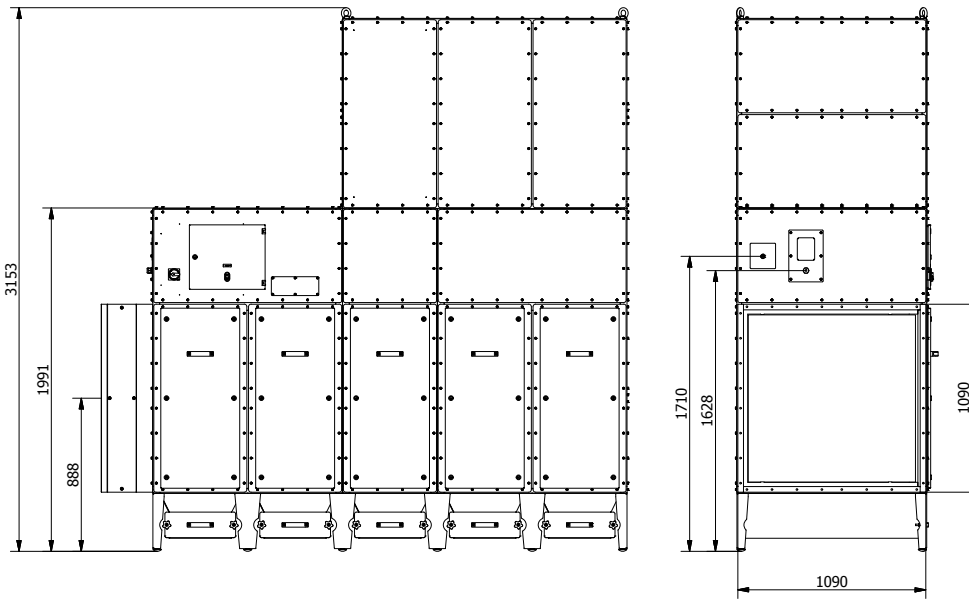
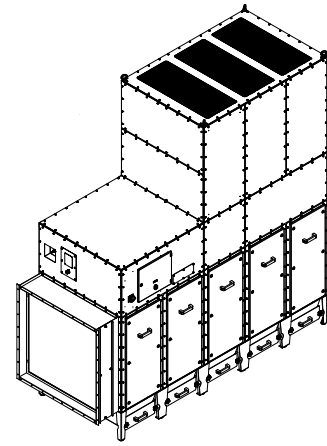


FPM-10 – MODULAR CARTRIDGE FILTER SYSTEM

FPM-10 is a filter system design for dry dust air pollution. FPM modular design allows customizing, rearrangements as well as construction adjustments required by application or installation site conditions.

- 10 main filter cartridges of 130 / 160 / 183 / 302 m² (available separately),
- automatic cartridge cleaning system,
- modular inlet part with metal mesh prefilter,
- five dust collection drawers (20 dm² each),
- legs with level adjustment,
- fan assemblies with VFD (frequency controllers)
- optional summer/winter outlet configuration.



All diameters are given in mm

FPM-10 FILTER ASSEMBLY

306100116 FPM-10 modular filter assembly for 10 cartridges. Automatic cartridge cleaning system. Prefilter module including metal mesh prefilter, without inlet part. Powder coating frame black RAL9005, side modules blue RAL5010. Other elements galvanized. Without main filter cartridges - configurations of total filtration surface 130 / 160 / 183 / 302 m² to be chosen separately.

FPM-10 FAN ASSEMBLY

- 302101148 Fan assembly 7,5 kW / 400 V / 3ph / 50Hz, 8000 m³/h, 1800-2500 Pa, with-in noise enclosure, including VFD control unit.
- 302101150 Fan assembly 11 kW / 400 V / 3ph / 50Hz, 10000 m³/h, 1800-2500 Pa, with-in noise enclosure, including VFD control unit.
- 302101145 Fan assembly 15 kW / 400 V / 3ph / 50Hz, 12000-14000 m³/h, 1800-2500 Pa, with-in noise enclosure, including VFD control unit.
- 302100148 Fan assembly 7,5 kW / 400 V / 3ph / 50Hz, 8000 m³/h, 1800-2500 Pa, without noise enclosure, including VFD control unit.
- 302100150 Fan assembly 11 kW / 400 V / 3ph / 50Hz, 10000 m³/h, 1800-2500 Pa, without noise enclosure, including VFD control unit.
- 302100145 Fan assembly 15 kW / 400 V / 3ph / 50Hz, 12000-14000 m³/h, 1800-2500 Pa, without noise enclosure, including VFD control unit.

FPM-10 ACCESSORIES AND OPTIONS

- 306101046 FPM inlet/outlet part B 11100x1100 D450 mm (recommended for 8000 m³/h).
- 306101951 FPM inlet/outlet part B 11100x1100 D500 mm (recommended for 10000 m³/h).
- 306101053 FPM inlet/outlet part B 11100x1100 D560 mm (recommended for 12000-14000 m³/h).
- 306220010 Antistatic powder coating finish (internal use) with additional grounding wiring option for FPM-10.