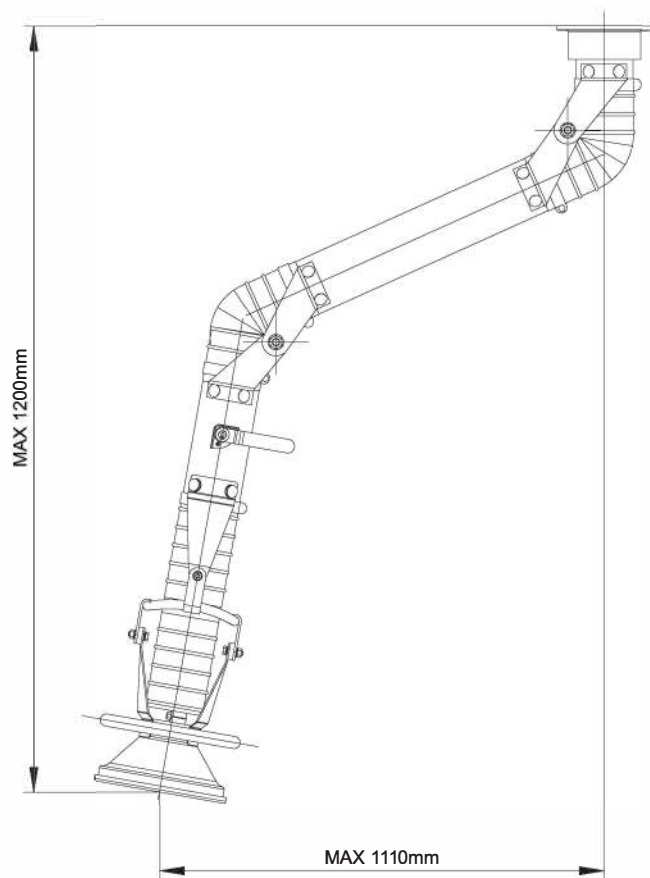
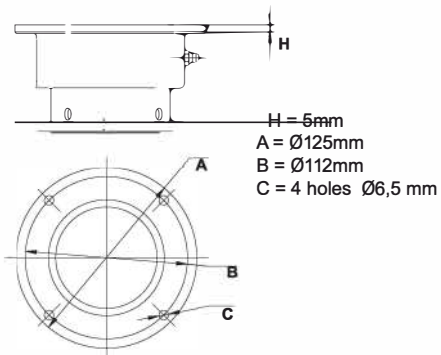


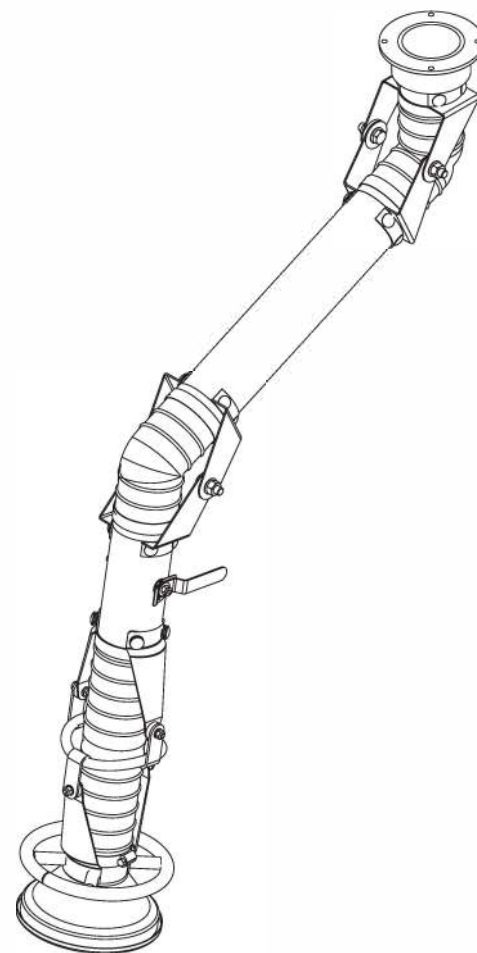
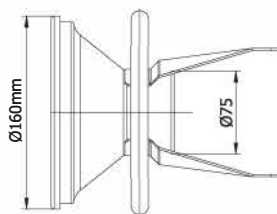
Product:	Fume extraction arm Ø75 - hanging model	
Index:	W02-01-0710	



Oskar Fume Arm Mounting Flange



Standard hood



- Accessories and options:**
- P07-01-0001 - Mounting bracket Ø75
 - P02-80-0001 - MOD A light kit & photo sensor
 - P02-80-0002 - MOD L light kit with Switch

- Standard construction:**
- galvanized tubes powder coated color blue RAL5010
 - aluminum hood powder coated yellow RAL1028
 - external aluminum arm joint parts painted black
 - flexible PVC black hose rated (temperature resistance up to 80°C)
 - standard built-in manual damper
 - all external adjustments and supports
 - grab handle all around the hood